

SKAGIT COUNTY PUBLIC WORKS DEPARTMENT

SINCLAIR ISLAND

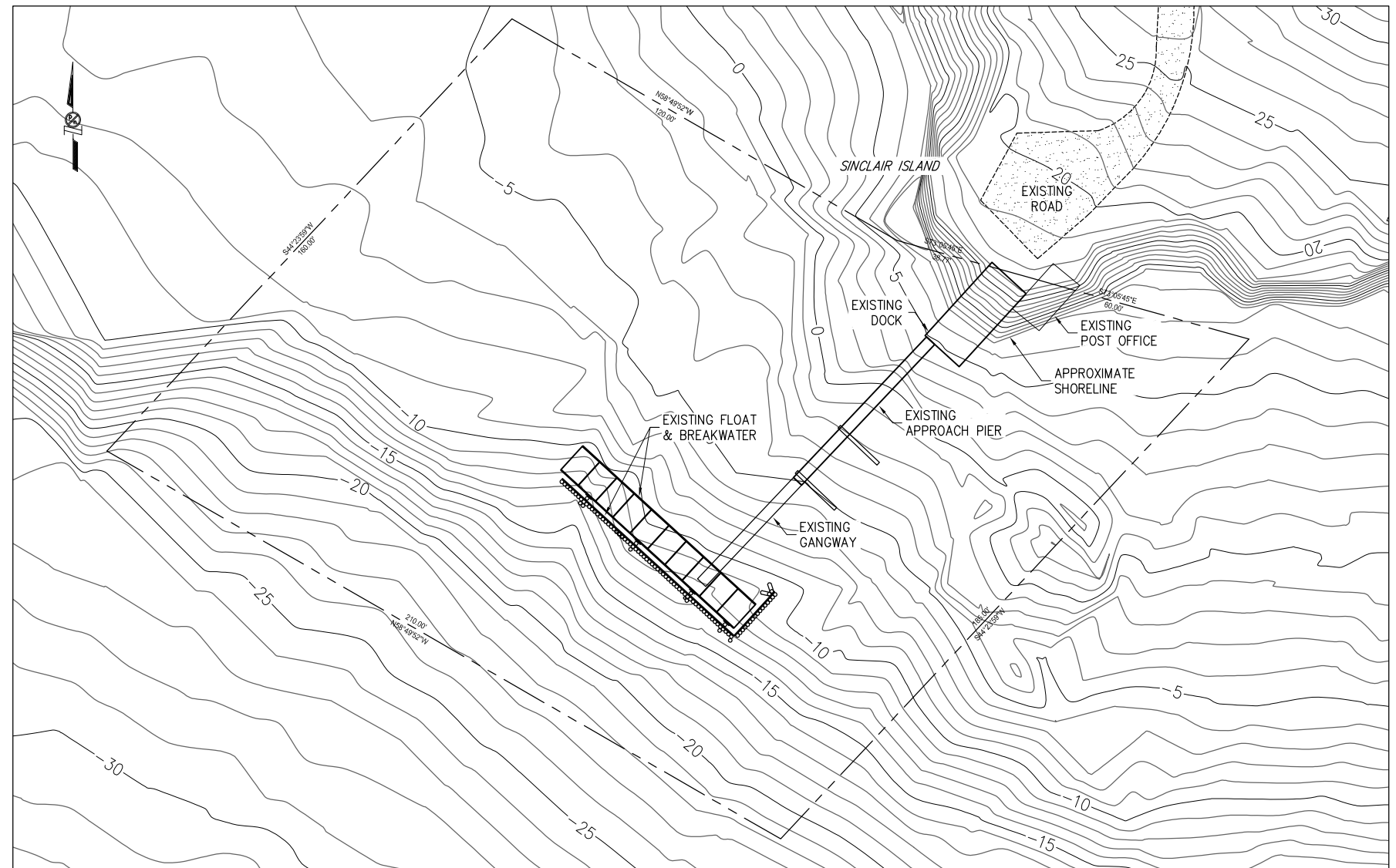
DOCK REPLACEMENT CONCEPTS



VICINITY MAP
NO SCALE

SHEET INDEX

- 1 TITLE AND SHEET INDEX
- 2 OPTION A
- 3 OPTION B
- 4 OPTION C



EXISTING SITE PLAN



5/4/12 Drawings\2012\124023.01 - Sinclair Island Dock Replacement Concepts\Drawings\124023.01-01.dwg



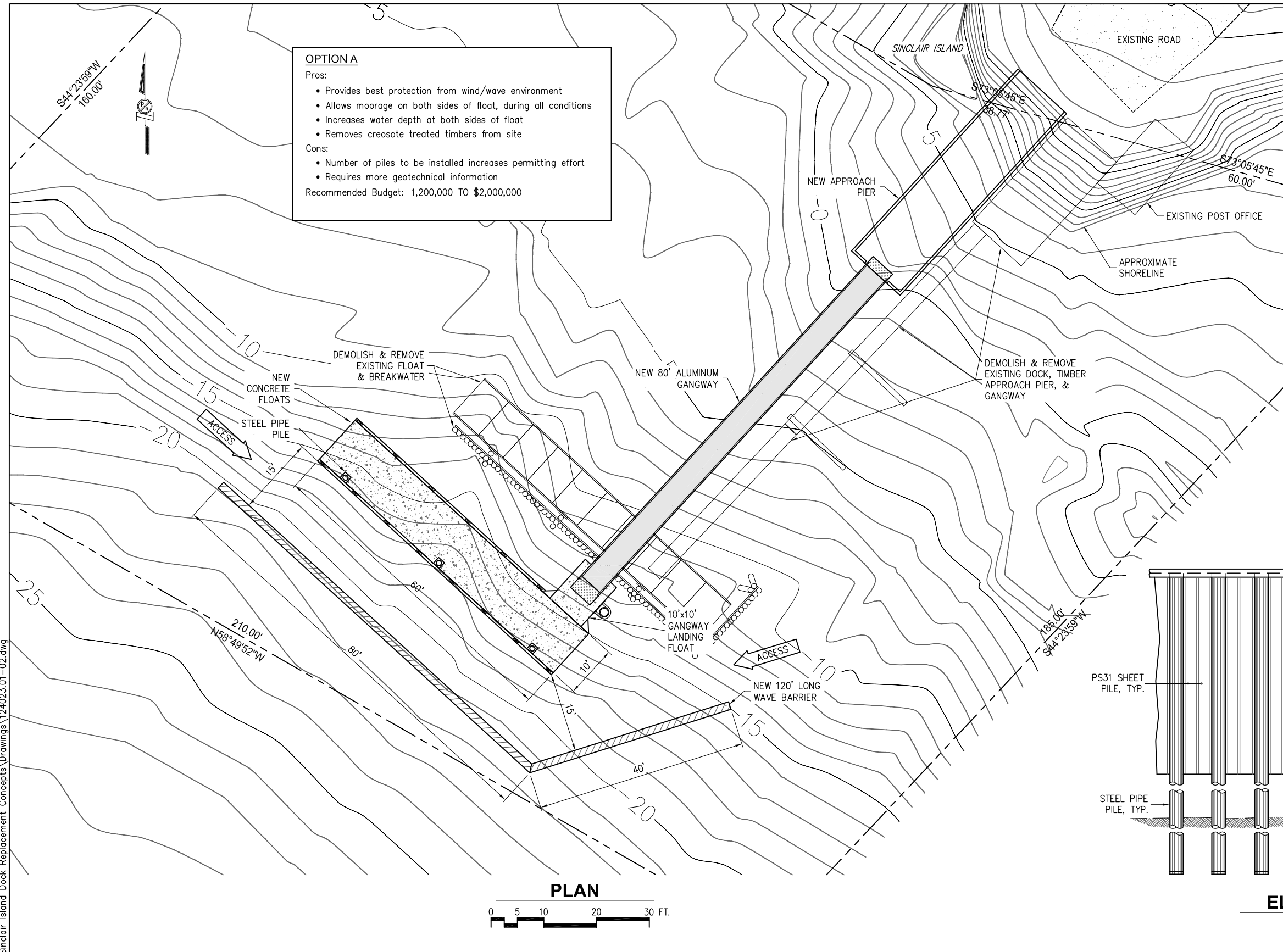
811 First Avenue, Suite 570
Seattle, Washington 98104
Phone: 206-624-1387
Fax: 206-624-1388
Email: mail@pndsea.com

PND ENGINEERS, INC. IS NOT RESPONSIBLE FOR SAFETY PROGRAMS, METHODS OR PROCEDURES OF OPERATION, OR THE CONSTRUCTION OF THE DESIGN SHOWN ON THESE DRAWINGS. WHERE SPECIFICATIONS ARE GENERAL OR NOT CALLED OUT, THE SPECIFICATIONS SHALL CONFORM TO STANDARDS OF INDUSTRY. DRAWINGS ARE FOR USE ON THIS PROJECT ONLY AND ARE NOT INTENDED FOR REUSE WITHOUT WRITTEN APPROVAL FROM PND. DRAWINGS ARE ALSO NOT TO BE USED IN ANY MANNER THAT WOULD CONSTITUTE A DETRIMENT DIRECTLY OR INDIRECTLY TO PND.

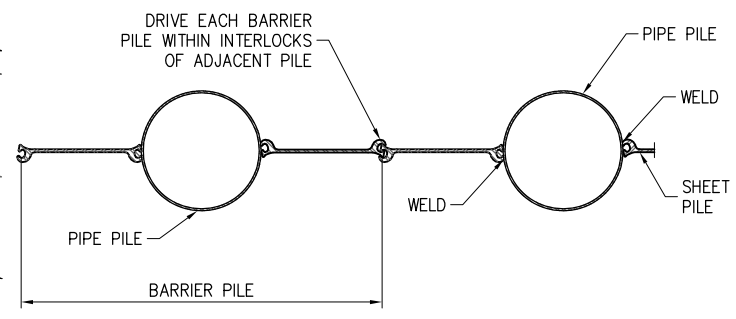
REVISIONS		
REV	DATE	DESCRIPTION

PROJECT: SINCLAIR ISLAND DOCK REPLACEMENT CONCEPTS			
TITLE: TITLE AND SHEET INDEX			
DESIGNED BY: JDO	PROJECT NO: 124023.01	SHEET NO: 1	
DRAWN BY: DRH	DATE: MAY 2012		
CHECKED BY: 	SCALE: NOTED		

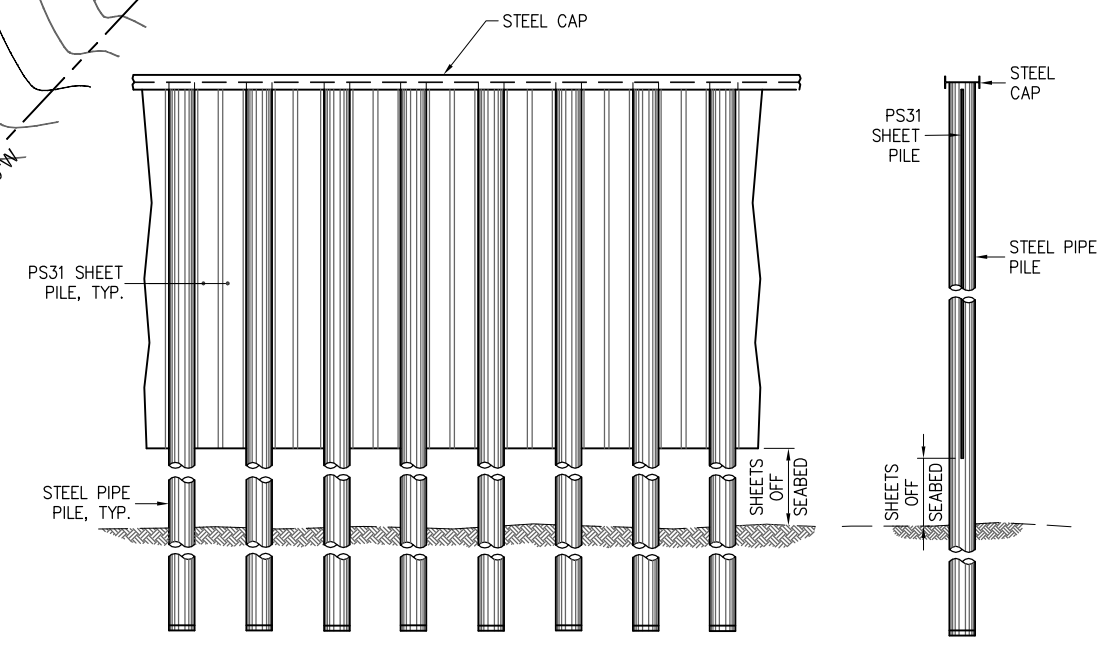
5/7/12 Drawings\2012\124023.01 - Sinclair Island Dock Replacement Concepts\Drawings\124023.01-02.dwg



OPTION A
 Pros:
 • Provides best protection from wind/wave environment
 • Allows moorage on both sides of float, during all conditions
 • Increases water depth at both sides of float
 • Removes creosote treated timbers from site
 Cons:
 • Number of piles to be installed increases permitting effort
 • Requires more geotechnical information
 Recommended Budget: 1,200,000 TO \$2,000,000

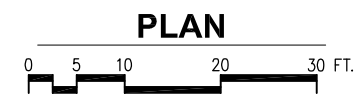


TYPICAL WAVE BARRIER PLAN

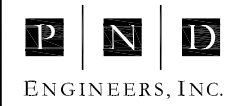


ELEVATION

PLAN



PLAN



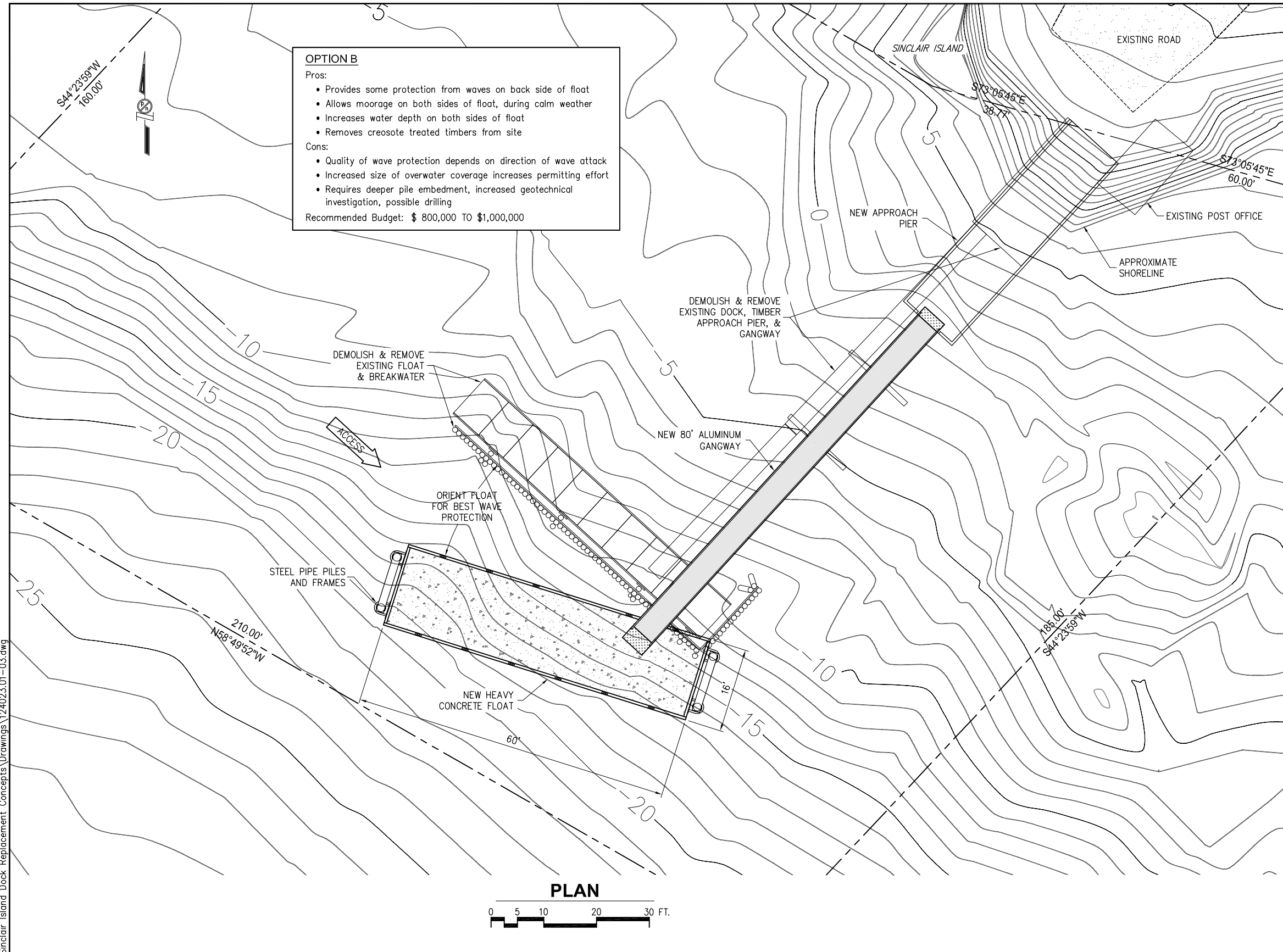
811 First Avenue, Suite 570
 Seattle, Washington 98104
 Phone: 206-624-1387
 Fax: 206-624-1388
 Email: mail@pndsea.com

PND ENGINEERS, INC. IS NOT RESPONSIBLE FOR SAFETY PROGRAMS, METHODS OR PROCEDURES OF OPERATION, OR THE CONSTRUCTION OF THE DESIGN SHOWN ON THESE DRAWINGS. WHERE SPECIFICATIONS ARE GENERAL OR NOT CALLED OUT, THE SPECIFICATIONS SHALL CONFORM TO STANDARDS OF INDUSTRY. DRAWINGS ARE FOR USE ON THIS PROJECT ONLY AND ARE NOT INTENDED FOR REUSE WITHOUT WRITTEN APPROVAL FROM PND. DRAWINGS ARE ALSO NOT TO BE USED IN ANY MANNER THAT WOULD CONSTITUTE A DETRIMENT DIRECTLY OR INDIRECTLY TO PND.

REVISIONS		
REV	DATE	DESCRIPTION

PROJECT: SINCLAIR ISLAND DOCK REPLACEMENT CONCEPTS			
TITLE: OPTION A			
DESIGNED BY:	JDO	PROJECT NO:	124023.01
DRAWN BY:	DRH	DATE:	MAY 2012
CHECKED BY:		SCALE:	NOTED
SHEET NO:			2

5/8/12 Drawings\2012\124023.01 - Sinclair Island Dock Replacement Concepts\Drawings\124023.01-03.dwg



OPTION B

Pros:

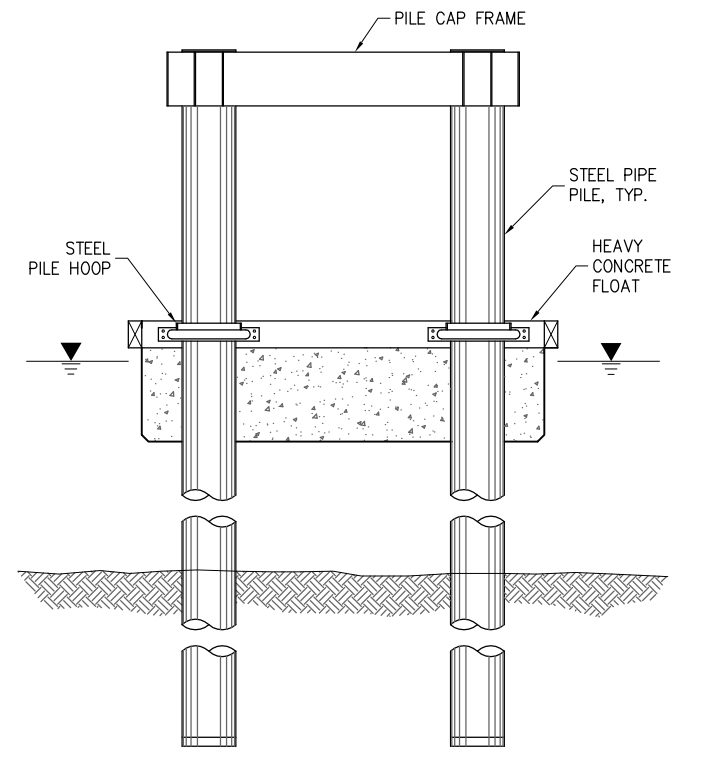
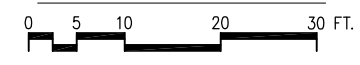
- Provides some protection from waves on back side of float
- Allows moorage on both sides of float, during calm weather
- Increases water depth on both sides of float
- Removes creosote treated timbers from site

Cons:

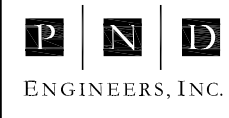
- Quality of wave protection depends on direction of wave attack
- Increased size of overwater coverage increases permitting effort
- Requires deeper pile embedment, increased geotechnical investigation, possible drilling

Recommended Budget: \$ 800,000 TO \$1,000,000

PLAN



SECTION



811 First Avenue, Suite 570
Seattle, Washington 98104
Phone: 206-624-1387
Fax: 206-624-1388
Email: mail@pndsea.com

PND ENGINEERS, INC. IS NOT RESPONSIBLE FOR SAFETY PROGRAMS, METHODS OR PROCEDURES OF OPERATION, OR THE CONSTRUCTION OF THE DESIGN SHOWN ON THESE DRAWINGS. WHERE SPECIFICATIONS ARE GENERAL OR NOT CALLED OUT, THE SPECIFICATIONS SHALL CONFORM TO STANDARDS OF INDUSTRY. DRAWINGS ARE FOR USE ON THIS PROJECT ONLY AND ARE NOT INTENDED FOR REUSE WITHOUT WRITTEN APPROVAL FROM PND. DRAWINGS ARE ALSO NOT TO BE USED IN ANY MANNER THAT WOULD CONSTITUTE A DETRIMENT DIRECTLY OR INDIRECTLY TO PND.

REVISIONS		
REV	DATE	DESCRIPTION

PROJECT: SINCLAIR ISLAND DOCK REPLACEMENT CONCEPTS			
TITLE: OPTION B			
DESIGNED BY: JDO	PROJECT NO: 124023.01	SHEET NO: 3	
DRAWN BY: DRH	DATE: MAY 2012		
CHECKED BY: 	SCALE: NOTED		

OPTION C

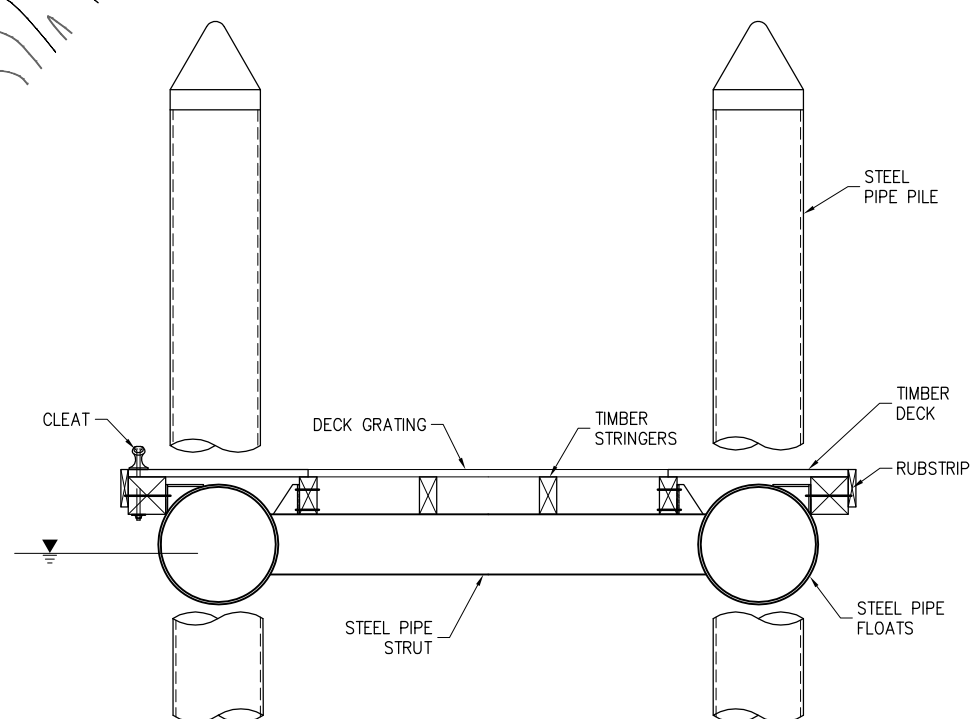
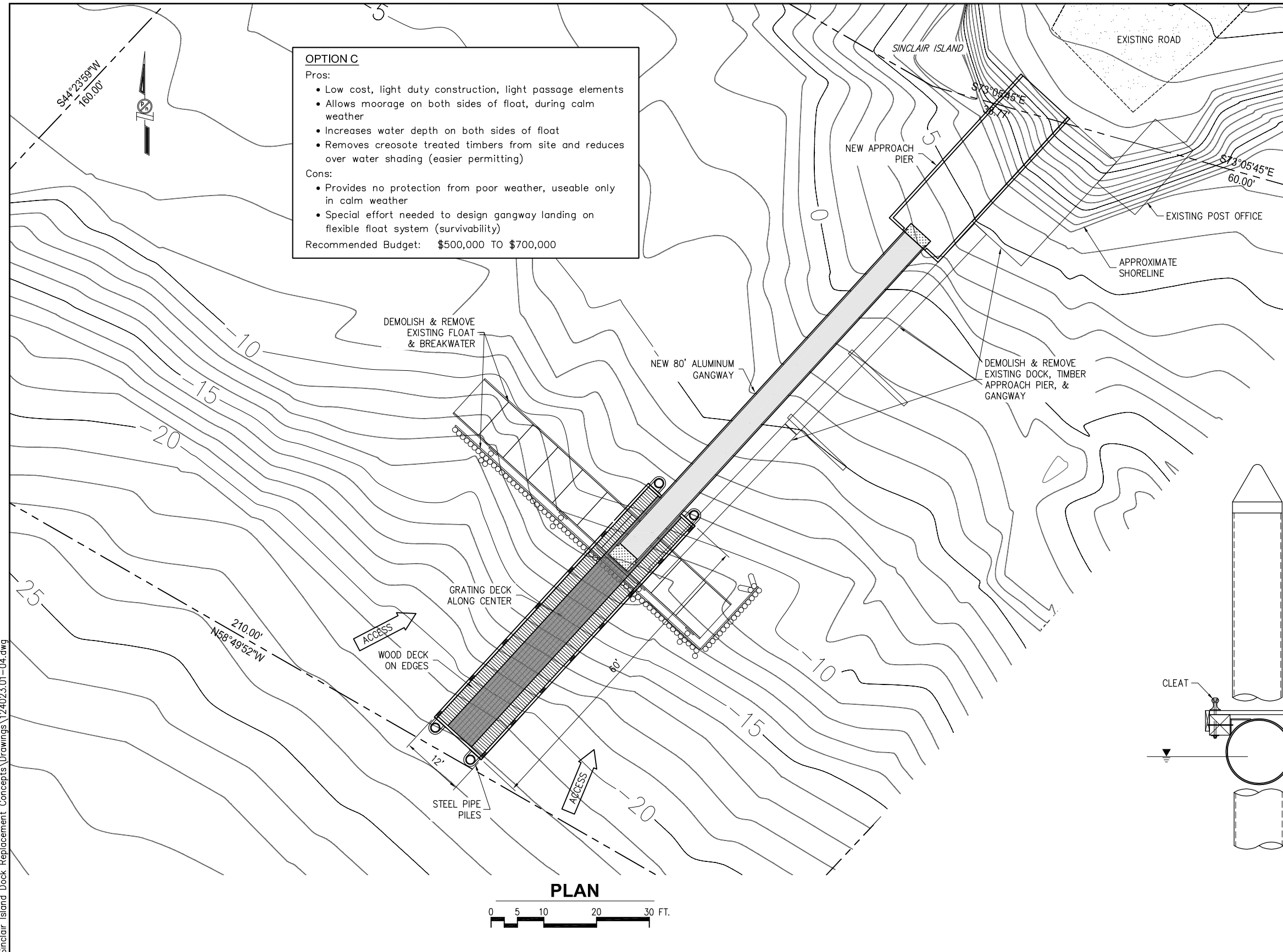
Pros:

- Low cost, light duty construction, light passage elements
- Allows moorage on both sides of float, during calm weather
- Increases water depth on both sides of float
- Removes creosote treated timbers from site and reduces over water shading (easier permitting)

Cons:

- Provides no protection from poor weather, useable only in calm weather
- Special effort needed to design gangway landing on flexible float system (survivability)

Recommended Budget: \$500,000 TO \$700,000



PLAN

0 5 10 20 30 FT.

SECTION

5/8/12 Drawings\2012\124023.01 - Sinclair Island Dock Replacement Concepts\Drawings\124023.01-04.dwg



811 First Avenue, Suite 570
 Seattle, Washington 98104
 Phone: 206-624-1387
 Fax: 206-624-1388
 Email: mail@pndsea.com

PND ENGINEERS, INC. IS NOT RESPONSIBLE FOR SAFETY PROGRAMS, METHODS OR PROCEDURES OF OPERATION, OR THE CONSTRUCTION OF THE DESIGN SHOWN ON THESE DRAWINGS. WHERE SPECIFICATIONS ARE GENERAL OR NOT CALLED OUT, THE SPECIFICATIONS SHALL CONFORM TO STANDARDS OF INDUSTRY. DRAWINGS ARE FOR USE ON THIS PROJECT ONLY AND ARE NOT INTENDED FOR REUSE WITHOUT WRITTEN APPROVAL FROM PND. DRAWINGS ARE ALSO NOT TO BE USED IN ANY MANNER THAT WOULD CONSTITUTE A DETRIMENT DIRECTLY OR INDIRECTLY TO PND.

REVISIONS		
REV	DATE	DESCRIPTION

PROJECT: SINCLAIR ISLAND DOCK REPLACEMENT CONCEPTS			
TITLE: OPTION C			
DESIGNED BY: JDO	PROJECT NO: 124023.01	SHEET NO: 4	
DRAWN BY: DRH	DATE: MAY 2012		
CHECKED BY: 	SCALE: NOTED		